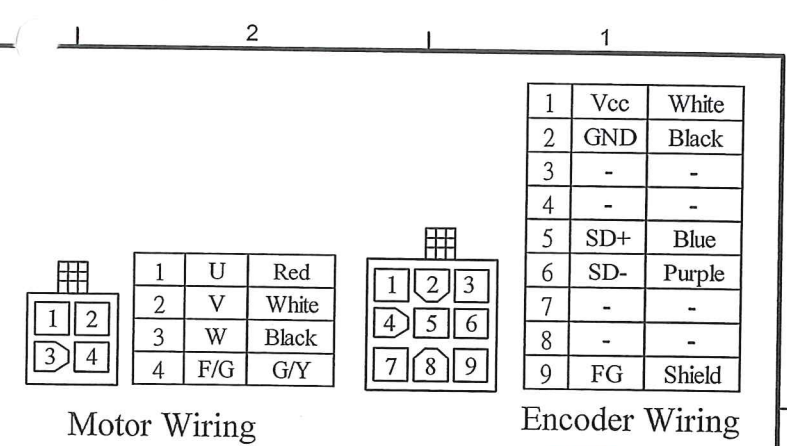
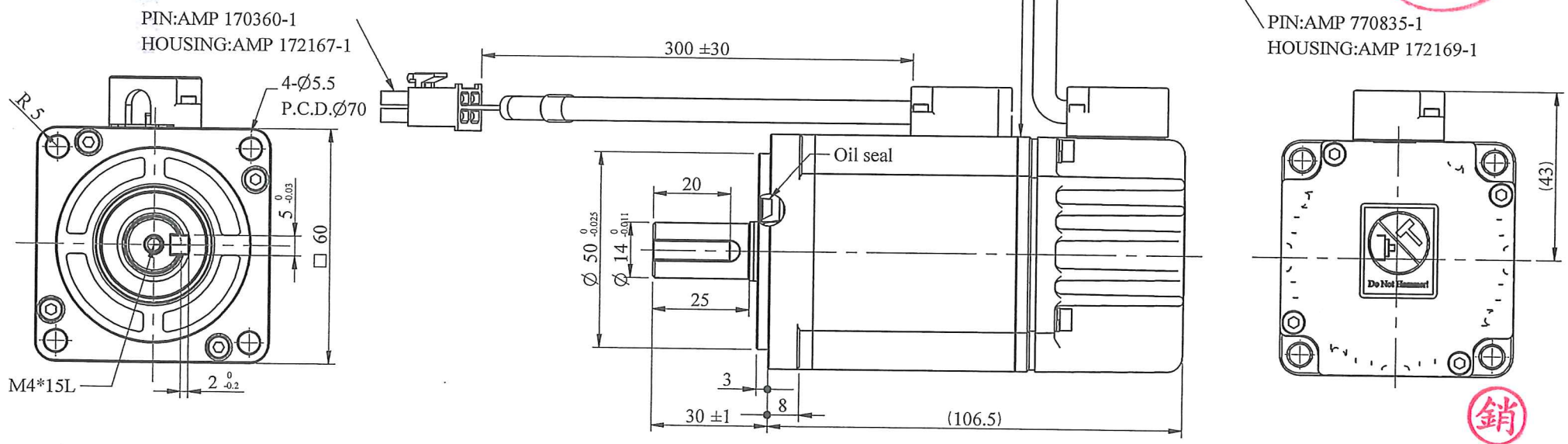


Model: JSMA-PBC02A3A

No.	Item	Symbol	Unit	Specification	No.	Item	Symbol	Unit	Specification
1	Drive	-	-	3 φ 220VAC	13	Rotor Inertia	J-M	kg-cm ²	0.42±10%
2	Cooling Method	-	-	Totally Enclosed	14	Rated Power Rate	Q-R	Kw/s	9.75
3	Exciting Method	-	-	Permanent Magnet	15	Resistance	Ra	Ω	6.4±10%/2 φ
4	Resolution	-	-	23 bit INC	16	Inductance	L	mH	16.2±10%/2 φ
5	Rated Output	P-R	KW	0.2	17	Mech. Time Constant	Tm	ms	1.89±10%
6	Rated Torque	T-R	N-m	0.64	18	Elect. Time Constant	Te	ms	2.53±10%
7	Max. Torque	T-max	N-m	1.91	19	Insulation Class	-	-	Class F
8	Rated Speed	N-R	rpm	3000	20	Operation Temp.	T	°C	0~40
9	Rated Current	I-R	A	1.6	21	Operation Humd.	RH	%	<80
10	Max. Current	I-max	A	4.8	22	Storage Temp.	T	°C	-20°~60°
11	Torque Constant	Kt	N-m/A	0.46±10%	23	Storage Humd.	RH	%	<80
12	Voltage constant	Ke	V/Krpm	28±10%/2 φ	24	Weight	W	kgw	1.1



- Note:
1. Motor to be IP67.(excluding the shaft opening & connectors)
 2. The detail of Name plate for Spec. refers to the file DC-JXE-002.
 3. Encoder shield wire to be grounded to the motor.



STANDARD TOLERANCE					APVD	<i>25</i>	SCALE	2/3	UNIT	m m	NAME	SERVO MOTOR OUTLINE DRAWING
X	±0.5				CHKD	<i>Michelle</i>	3RD .A.P				TITLE	JSMA-PBC02A3A
.X	±0.2				CHKD							
.XX	±0.05				DWN	Chase						
ANGLE	±30'					05-26-17						
MATERIAL		REV	DESCRIPTION	SIGNATURE	DATE				Dept. Design	DWG.NO.	D01E06201C3NZ3C01	